

AIRMAN®

PORTABLE
SCREW COMPRESSOR
PDS750S



Main Improvements:

Ultra Compact and lightweight unibody structure.

Efficient direct driven twin screw air-end increases service life and makes excellent fuel consumption.

By combination of low noise engine and large two-lows muffler, noise level has been lowered.

Parallel installation of radiator and oil cooler has enabled easy and smooth cleaning and washing of both radiator and cooler.

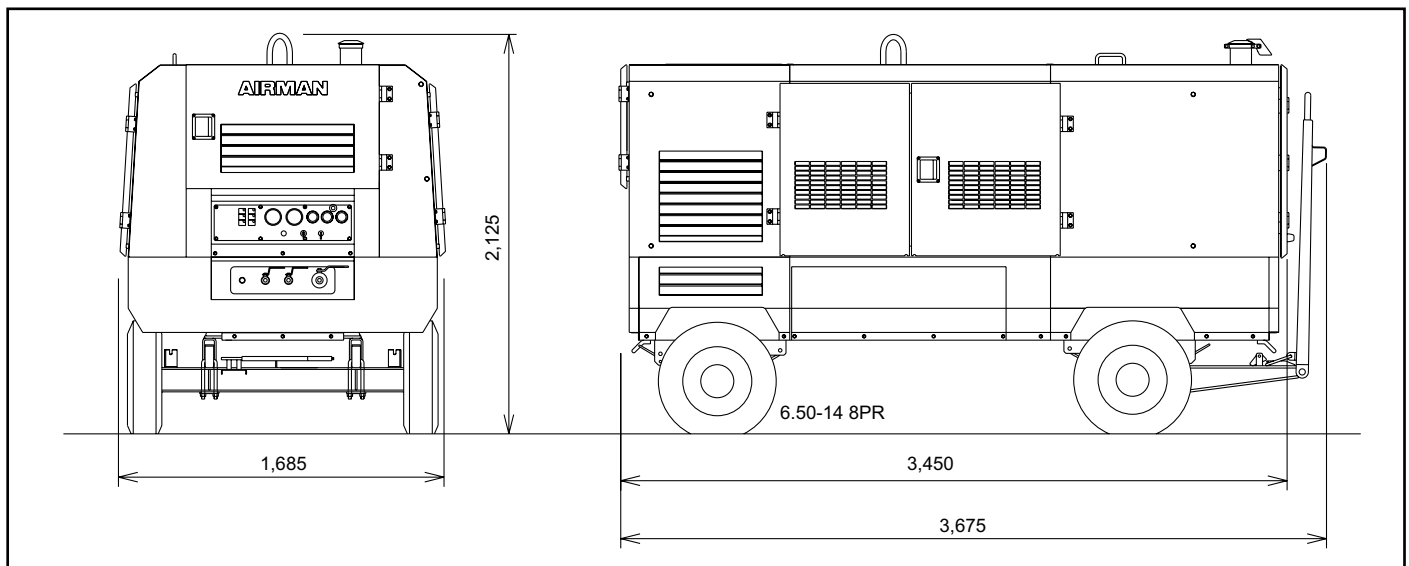
Equipped with an air chuck for convenient connection of air-blow and air-tools.

A door is provided on all sides; at front and rear, right and left side.

So easy and smooth accessibility to maintenance has been secured.

OUR PLANTS ARE AWARDED ISO9001 CERTIFICATION.

HOKUETSU INDUSTRIES CO., LTD.



SPECIFICATIONS

COMPRESSOR

Type	Rotary twin screw, single stage, oil-cooled
Free air delivery	21.2 m ³ /min (750 cfm)
Working pressure	0.7 MPa (7.1 kgf/cm ² G) (102 psi)
Unloader	Suction port closing in connection with stepless speed regulator
Lubrication system	Forced lubrication by compression pressure
Driving system	Direct coupling with rubber coupling
Oil cooling	Air-cooled
Air cleaner	Dry paper filter type

DIESEL ENGINE

Model	HINO JO8C-UT	
Type	Water-cooled, 4-cycle, direct injection, turbo-charged type	
No. of cylinders	6	
Cyl. bore X stroke	114 mm X 130 mm	
Total displacement	7.961 liters	
Compression ratio	18.0 : 1	
Rated output	144.5 kW/2,100 min ⁻¹ (196 PS/2,100 rpm)	
Max. torque	745 Nm/approx. 1,600 min ⁻¹ (76 kgf·m/approx. 1,600 rpm)	
Injection pump	AD type	
Governor	Centrifugal, RSV type	
Alternator	AC 24 V, 35 A	
Starting motor	DC 24 V, 4.5 kW	
Battery	115F51(N120) X 2 pcs.	
Air cleaner	Dry type	
Fuel tank capacity	310 liters	
Engine oil capacity (including oil cooler)	23 liters	
Coolant capacity (including engine radiator)	29 liters	
Compressor oil capacity (including receiver tank & oil cooler)	80 liters	

OIL SEPARATOR-RECEIVER TANK

Type	Vertical cylindrical steel plate fully welded
Shell dia.	500 mm
Shell length	925 mm
Capacity	0.189 m ³
Max. working pressure	1.0 MPa (10.2 kgf/cm ² G)
Hydraulic test pressure	1.5 MPa (15.3 kgf/cm ² G)
Air outlet valve	50 A X 1 pc., 20 A X 2 pcs., air chuck 10 A X 1 pc.

INSTRUMENTS & GAUGES

EMERGENCY STOP DEVICES

Oil pressure switch
Engine coolant temperature switch
Discharge air temperature switch
Engine speed down switch

GAUGES

Pressure gauge	Tachometer (with houemeter)
Fuel gauge	Starter switch
Stop button	Starting unloader valve
Glow lamp	Panel light switch
Discharge air temperature gauge	
Engine coolant temperature gauge	

WARNING LAMP

For engine oil pressure drop
For engine coolant temperature rise
For discharge air temperature rise
For battery charging
For compressor oil filter clogging
For engine speed down

WEIGHT

Dry weight	2,985 kgs
Operating weight	3,335 kgs

HOKUETSU INDUSTRIES CO., LTD.

12TH Floor Shinjuku San-Ei Bldg,
22-2 Nishi-Shinjuku 1-Chome, Shinjuku-ku, Tokyo 160-0023 Japan
TEL: 81-3-3348-7281 FAX: 81-3-3348-7289
E-mail: info@airman.co.jp
http://www.airman.co.jp

HOKUETSU INDUSTRIES EUROPE B.V.

Breguetlaan 12, 1438 BC Oude Meer, The Netherlands
PHONE: 31-20-6462636 FAX: 31-20-6462191
e-mail: hokuetsu@euronet.nl

SAFETY

Operate safely in accordance with proper operation manual.
To prevent trouble and accidents, perform daily and preventive maintenance checks without fail.

ISO9001



JQA-0581